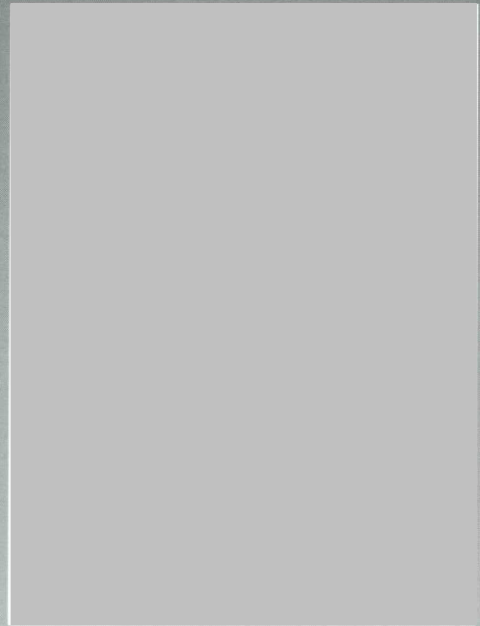
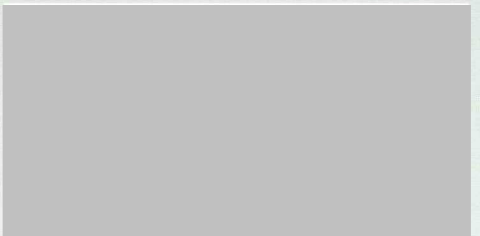
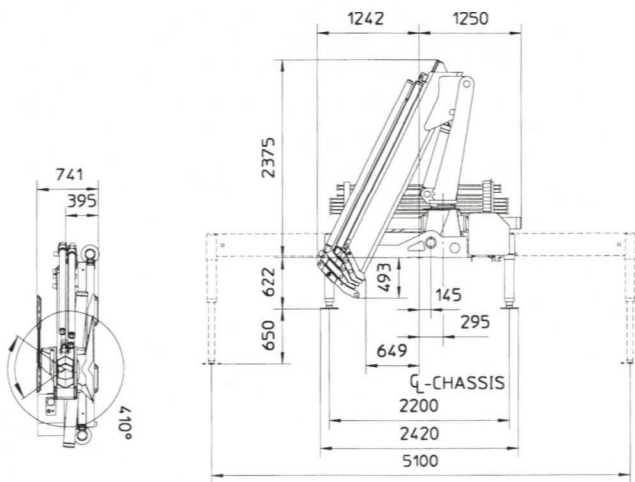
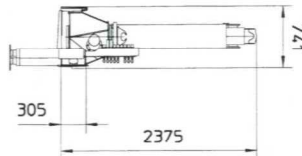
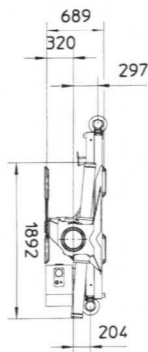
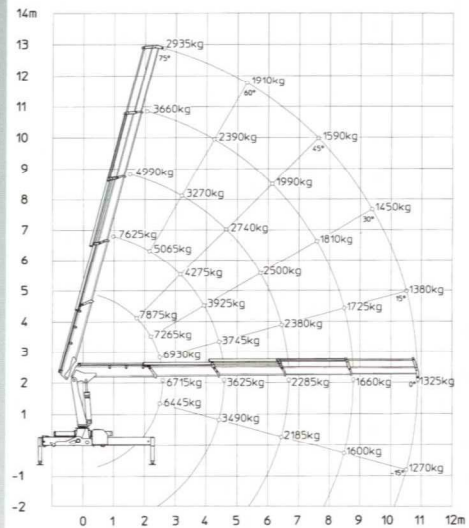


Technical Data, HMF 1720-T Series

Loading group B3		1722-T4
Load moment	tm	17.5
Hydraulic reach	m	10.9
Slewing angle	°	410
Slewing torque	kgm	2000
Height above chassis	mm	2375
Width, folded	mm	2492
Length of base, no extra valves	mm	741
Length of base with extra valves	mm	741
Stabilizer spread, standard	mm	5100
Stabilizer spread, special	mm	6430
Weight excl. stabilizers	kg	1775
Weight of stabilizers	kg	250
Working pressure	MPa	23.0
Pump performance	l/min.	50
Power consumption	kW	19
Oil tank capacity in base	l	20
Oil tank capacity, sep.	l	80



1722-T4



1722 T4

